

TMAX-1335-XXX-M Molded Power Inductor

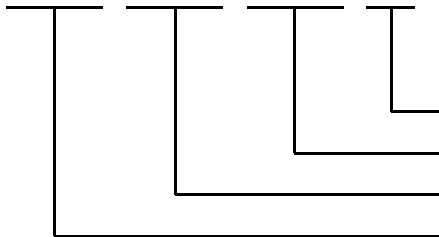
Features

-
-
-
-
-
-

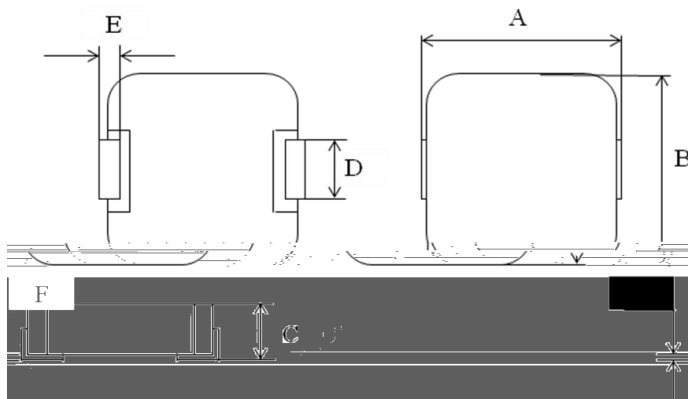
Applications

-
-
-
-
-
-
-

Product Description



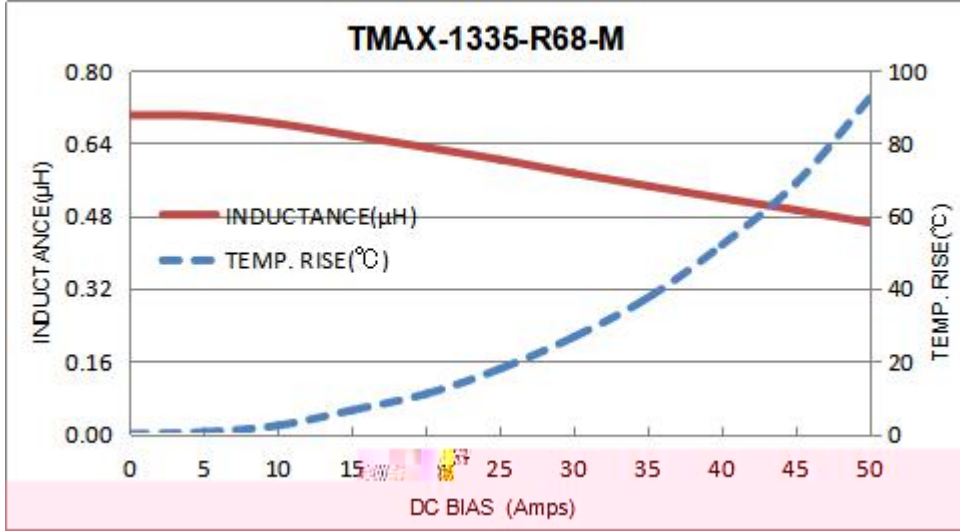
Dimensions



	13.8Max
	12.7±0.2
	3.5 Max.
	3.7±0.5
	2.3±0.5
	0~0.20

TDG HOLDING CO., LTD.

Inductance and Temperature Rise vs. DC Current



Reliability:

Item	Test Method	Specification and Requirement
	±	
	± ±	
		±

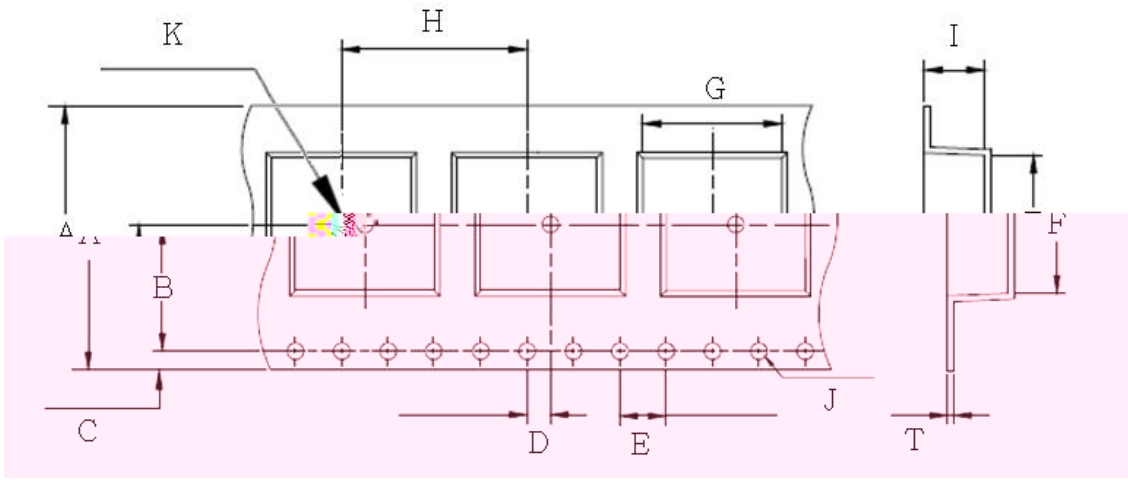


TDG HOLDING CO., LTD.

Code: A1
Country:

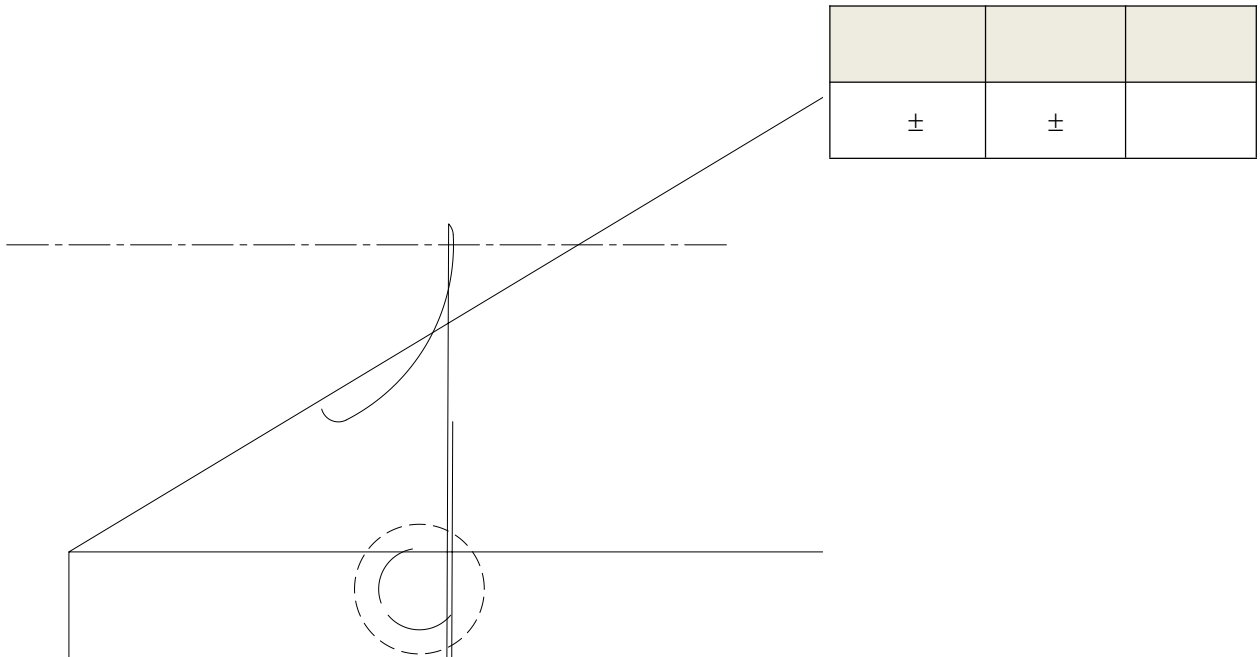
Reliability:

Packaging Dimensions



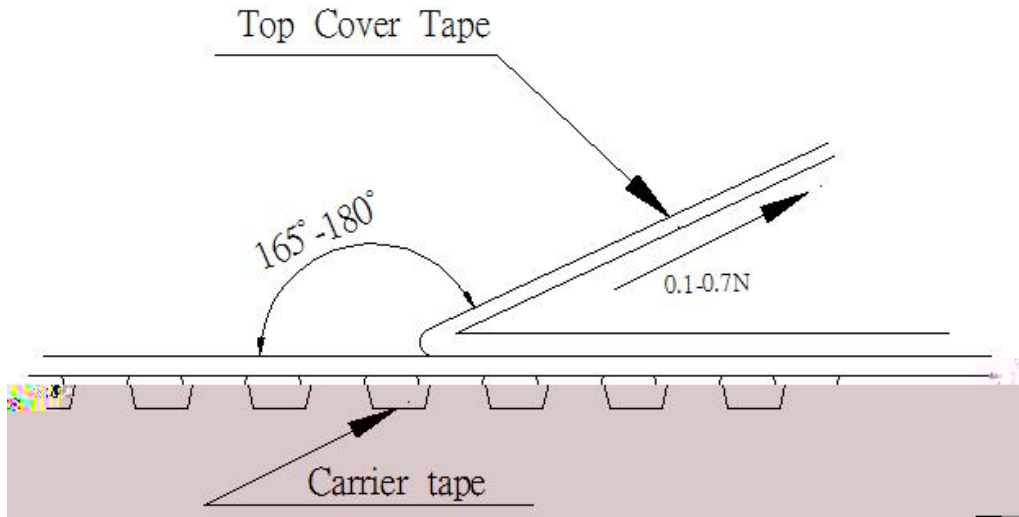
±	±	±	±	±	±
±	±	±	±	±	±

Reel Dimensions



Peeling of top cover tape

-
-



Numbers of taping**Label marking****Production Label****Shipping Label****Care note for use**

➤ **Storage Condition**

➤ **Use Temperature**



➤ **Model**

➤ **Drop**



Care note for Safety

