

---

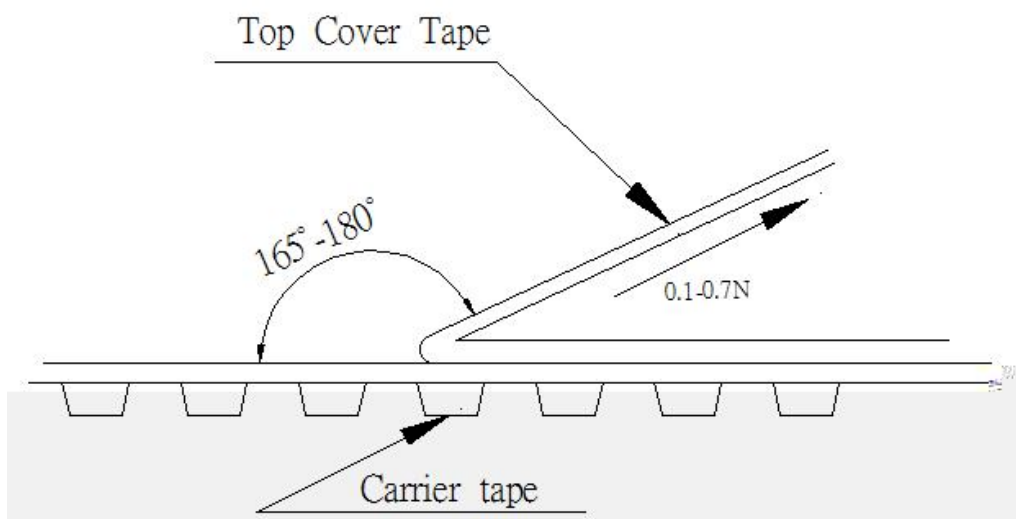
	± ± ±	
		±



	$\pm$ $\pm$ $\rightarrow$ $\rightarrow$ $\pm$ $\pm$ $\rightarrow$	
	$\pm$	$\pm$
	$\pm$	
	$\pm$	
	$\pm$	



- 
- 





●

●  
●

✓  
✓  
✓  
✓  
✓

✓  
✓  
✓  
✓  
✓

➤

➤  
✓  
✓

✓  
✓

➤

➤

